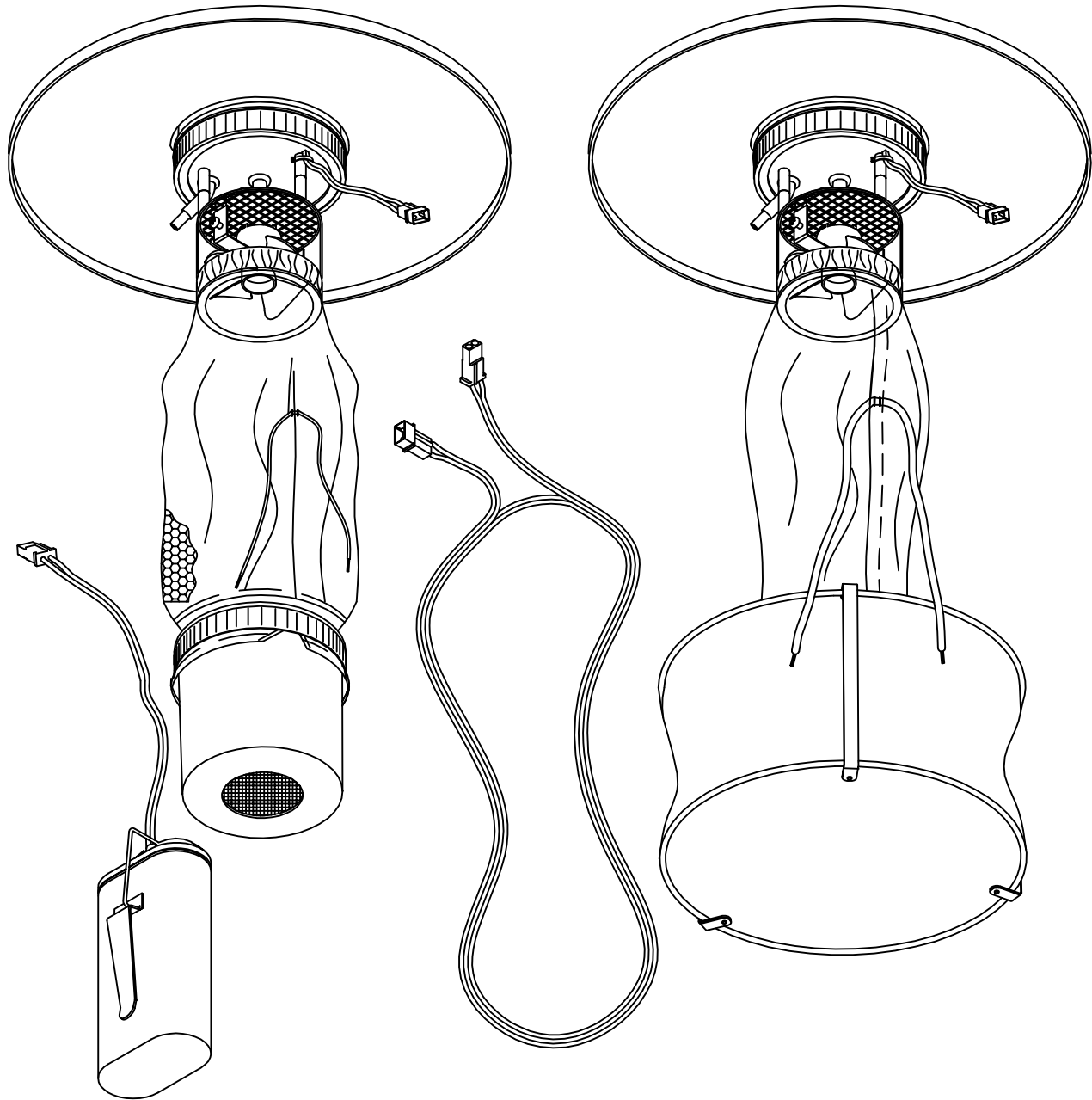


CURTIS DYNA-FOG[®] Ltd.

"Innovators of Spraying and Fogging Technology Since 1947"

www.dynafog.com



CDC MOSQUITO LIGHT TRAP

MODEL 2506-J, 2506-J-UV & 2506-N, 2506-N-UV

OPERATING INSTRUCTIONS
AND PARTS LISTING

INDEX

	Page Number
Specifications	3
Operating Principle	3
Major Components Diagram 2506-J, 2506-J-UV.....	4
Major Components Diagram 2506-N, 2506-N-UV	5
Placement of the Light Trap	6
Operating the Light Trap	6
Test	7
Troubleshooting Tips	8
Optional Sealed Lead Acid Battery	8
Optional Self closing Air Gate	8
Exploded Isometric for 2506-J, 2506-J-UV (Parts diagram)	9
2506-J, 2506-J-UV Parts List	10
Exploded Isometric for 2506-N, 2506-N-UV (Parts diagram)	11
2506-N, 2506-N-UV Parts List	12

DYNA-FOG CDC UV MOSQUITO LIGHT MODEL 2506-J, 2506-J-UV & 2506-N, 2506-N-UV

Specifications

Power Supply.....	6 volts DC
Current Draw.....	300 ma (nom. Incandescent Bulb) or 150 ma (LED UV Bulb)
Motor Speed.....	2500 RPM
Fan	3 In. (7.6 cm)/4 blades
Light Bulb.....	Incandescent (#44, #47) or LED UV Bulb (1W BA9S)
Weight of Light Trap.....	1.9 lbs. (.86 kg)
Weight of optional 12 AH/6V Battery Assembly	4.75 Lb (2.16 Kg)
Weight of optional 110 AC/6VDC Battery Charger	0.95 Lb (0.43 Kg)
Shipping Weight	(1) unit/carton = 4.25 lbs. (1.93 kg)
Shipping	
Dimensions	(1) unit/carton = 15.5" (39.4cm) x 15.5" (39.4cm) x 6.6" (16.8 cm)
	(4) units/carton = 16" (40.6 cm) x 16" (40.6 cm) x 30" (76.2 cm)

Operating Principle

Modern pest management requires surveillance data in order to plan control work. Field surveys are the foundation of an effective program. Data on the mosquitoes with the greatest potential to adversely affect public health and comfort, including data on mosquito density and distribution, are essential in order to plan and conduct effective control measures.

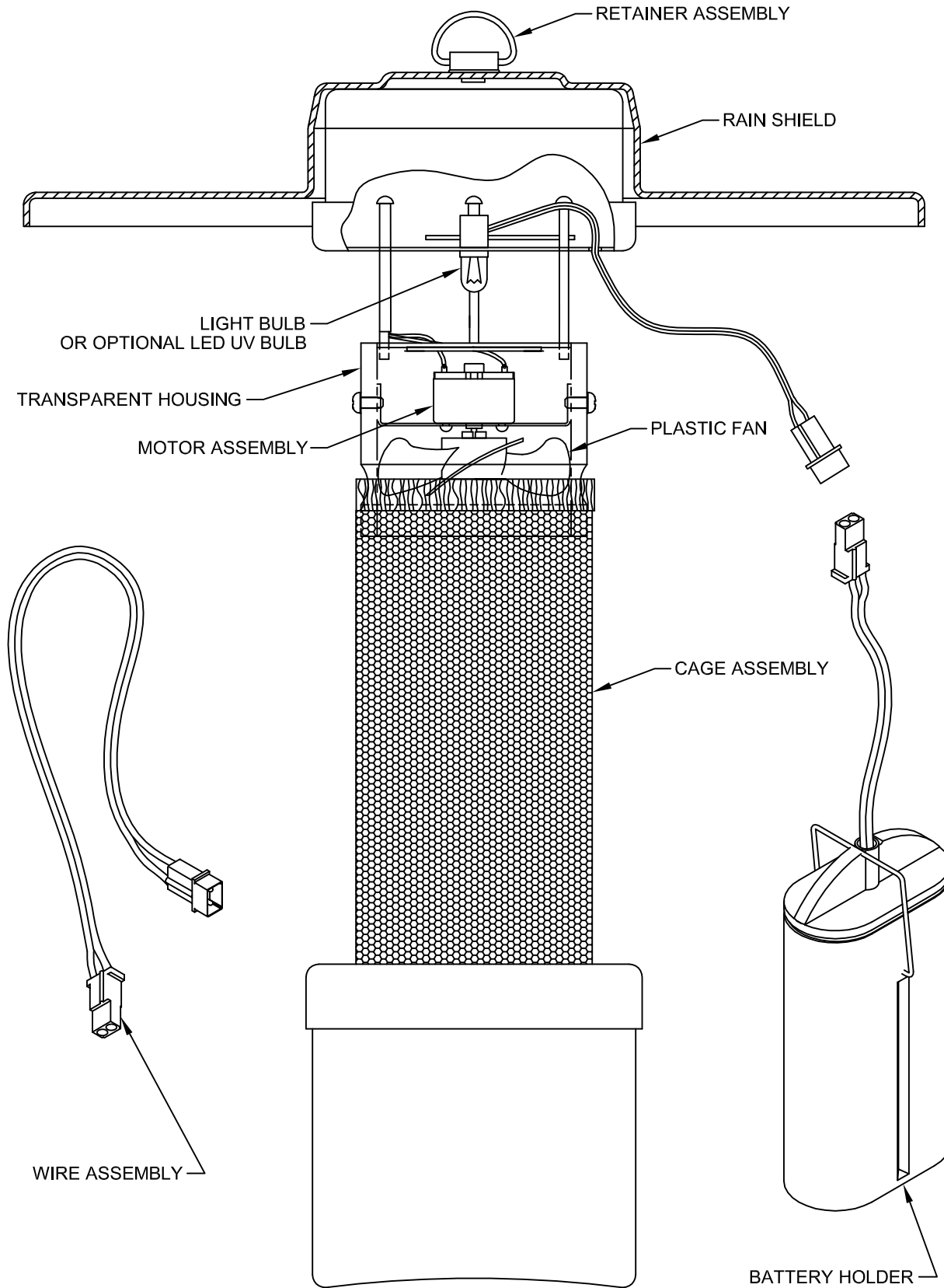
Light traps are an easy, relatively low cost way to obtain an index of the number of mosquitoes in an area. This light trap was designed to be an efficient means for collecting samples of adult mosquitoes. Once collected, the mosquitoes can then be identified and counted to provide a statistical representation of the population density and type of species in any given area. Collecting a sample of mosquitoes using this light trap can provide invaluable information necessary for evaluation and control of the mosquito population.

Once analyzed, this information can be used to:

- Accurately determine the best times and areas to spray using Curtis Dyna-Fog" type aerosol sprayers or foggers.
- Provide information on how well the spray pattern is penetrating target areas.
- Identify disease carrying species and the potential for vector born diseases in the area.
- Determine species resistance to different insecticides.
- Evaluate the effectiveness of a spraying program.

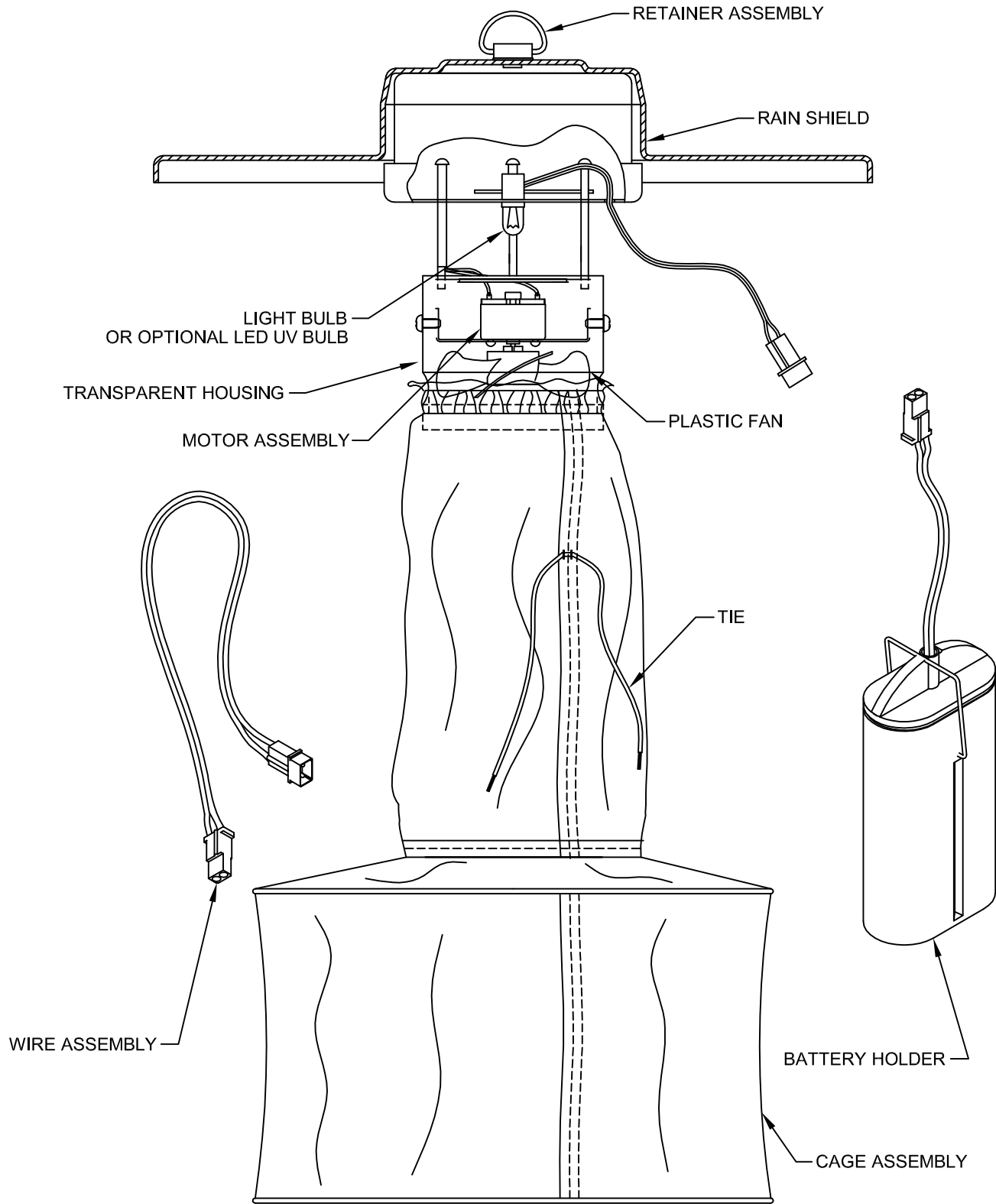
With the addition of carbon dioxide as an attractant in the form of dry ice, the CDC trap becomes a powerful surveillance tool. The CO₂ baited CDC trap samples a wider range of mosquito species and increases the numbers of mosquitoes captured.

MOSQUITO LIGHT TRAP MODEL 2506-J, 2506-J-UV



MAJOR COMPONENTS DIAGRAM

MOSQUITO LIGHT TRAP MODEL 2506-N, 2506-N-UV



MAJOR COMPONENTS DIAGRAM

Placement of the Light Trap

For the Light Trap to operate effectively it must be placed in the proper location. In general, best results will be achieved if the trap is placed in areas of higher humidity. These areas will usually have more foliage and cover. Also, locating the trap a few yards into the edge of woods and near marshes, swamps and streams yield excellent results.

Select a remote location (at least 50 feet away from any structures if possible). Avoid placing a trap near any other light sources or open fields as they may detract from its effectiveness. The height at which the trap is suspended can influence the species composition of the collection. Normally, traps are hung 5-6 ft off the ground. This height is satisfactory for the majority of species encountered in routine. (Note: If it is important that the collected mosquitoes remain alive, care should be taken to avoid placing the trap where it will be in direct sunlight.)

The number of traps needed for an area depends upon the amount of accuracy desired. The more traps that are placed, the greater the statistical accuracy. Typically, several traps will be located in known areas of activity. If the location does not produce the expected number of mosquitoes, relocate the trap. Field trials show that relocating traps distances of only 25 feet (7.62 m) can significantly change the amount of mosquitoes collected.

NOTE: FOLLOW THE SPECIFIC INSTRUCTION FROM THE SCIENTIFIC/TECHNICAL PERSONNEL IN YOUR VECTOR CONTROL PROGRAM AND/OR MOSQUITO CONTROL DISTRICT.

Operating the Light Trap

NOTE: To yield the most accurate results, the trap should be operated for five consecutive nights.

Place the trap(s) in their location during daylight hours. Assuming that the Light Trap will operate with the Function Switch at the position number 2 (see page 8), when first connected to a 6 volt DC power source, the trap will not begin operating. To test the trap to ensure that it is operating properly, move the tabs of the function switch to the position number 1. This will trigger both the light and fan. After verify that the components are working fine, and to reset the unit so that it is ready for operation, disconnect the battery leads, move the tabs of the function switch to the position number 2 and then reconnect the battery leads. The trap is equipped with a light sensing switch that will turn the light and fan “on” at night. The next morning the daylight will cause the switch to turn the light “off” to conserve the battery. The fan will remain “on” to keep the mosquitoes in the Catching Cage or Collection Jar until the cage or jar can be emptied.

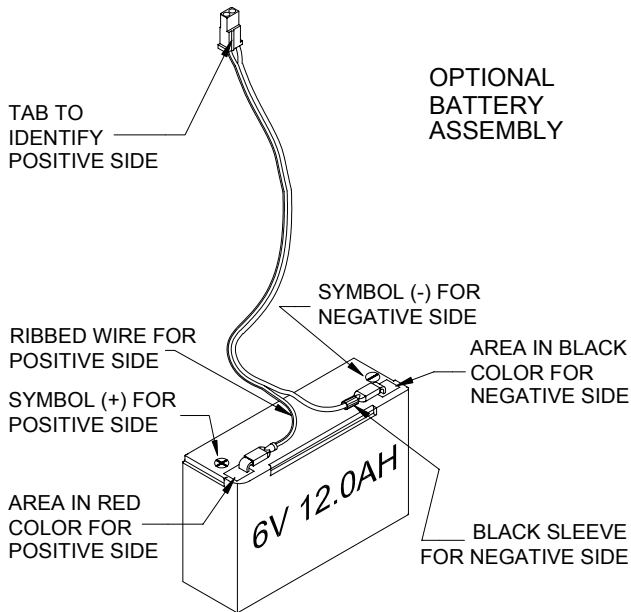
Past experience has shown that using a pheromone such as Octenol and/or placing a 2” (5.08 cm) cube of dry ice in an ice bucket suspended directly above the trap will increase the number of mosquitoes collected. Also, collection peak periods fluctuate on a 4 week cycle with the light and dark phases of the moon. Field trials have shown that the best collection times are during the dark phases of the moon and on overcast nights.

Test: If the installation of the light trap is performed during day light time, to know if will work during the evening/night time, test the Light trap in a room without direct sun light (or high intensity illumination), and cover the light pipe with one finger. This will cause the photo-sensor to be activated and the light and fan will turn ON.

The Light trap model 2506 requires 500 ma (nominal) to operate at a nominal voltage of 6 volts DC.

This may be in the form of a rechargeable power source of 6 Amp-Hour minimum at 6 V DC which will allow operation of the trap for temporary periods of time which will vary depending on the mode of operation selected before the power source will need to be recharged. It is recommended to make periodic collection of the samples taken for the trap, and make any required maintenance to the power source (battery), if required. Dyna-Fog offers an optional power source that can be used, a rechargeable 6 volt 12 Amp-Hour battery, which allows longer operation time of the Light trap between charging periods. The maximum run time for a fully-charged and new battery can be estimated by dividing the Amp-Hr rating of the battery by the current consumption of the trap. See Page 12 for features of optional Dyna-Fog 6 V DC Sealed Lead Acid Battery.

Be sure to observe that the battery is installed and connected with the proper polarity to assure proper operation and prevent damage to the trap.



CAUTION

As DC current is unidirectional, wire leads are coded: the ribbed wire goes to the (+) and the smooth wire goes to the (-) polarity. The plastic housing of the connectors are also coded, the tab goes to the (+) polarity. Orienting the wires in the wrong direction will prevent the unit from operating.

Troubleshooting Tips

Problem	Possible Cause	Corrective Action
Unit will not operate	Battery wires connected backwards at battery	Check wires at battery
	Weak battery	Recharge Battery
	Poor wiring connections	Ensure all wiring connections are tight
Lamp doesn't work	Burnt out Lamp or Lamp is loose	If necessary, replace with Lamp specified

Technical Details of Dyna-Fog 6 V DC Sealed Lead Acid Batteries

Sealed Construction - SLA batteries unique construction and sealing technique guarantee that no electrolyte leakage can occur from the terminals or case of any battery. This feature insures safe, efficient operation of SLA battery in any position.

Electrolyte Suspension System - All SLA batteries utilize an electrolyte suspension system consisting of a glass fiber separator material. This suspension system allows maximum life and service.

Gas Generation - Batteries have a unique design that effectively controls generation of gas and allows recombination within the battery over 99% of gas generated during normal usage.

Maintenance Free Operation - During the expected five years float service life of SLA batteries, there is no need to check the specific gravity of the electrolyte, or add water. In fact, there is no provision for these maintenance functions.

Low Pressure Venting System - SLA batteries are equipped with a safe, low pressure venting system, which operates at 7 psi to 10 psi, designed to release excess gas and reseal automatically in the event that gas pressure rises to a level above the normal rate.

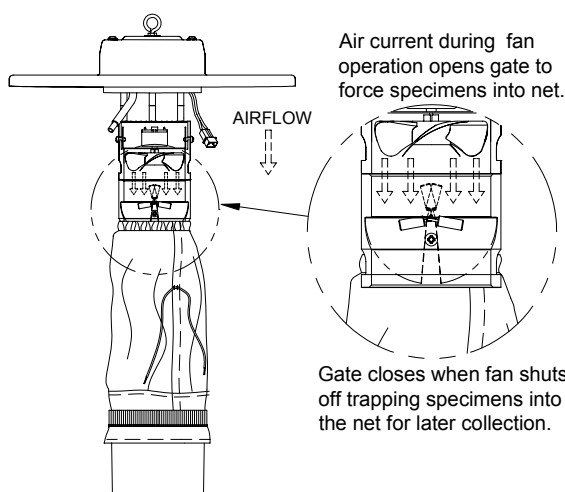
Cyclic Service Life - Depending upon the average depth of discharge, over 1,000 discharge/ recharge cycles can be expected from batteries

Low Self Discharge - At room temperature, its self-discharge rate of SLA batteries is approximately 3% of rated capacity per month.

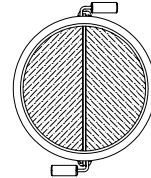
Operating Temperature Range - SLA batteries may be used over a broad range of ambient temperatures.

Optional Sealed Lead Acid Battery Available – Allows extended operation where traps cannot be maintained on a daily basis. Contact Curtis Dyna-Fog for more information.

SELF CLOSING LIGHT TRAP GATE P/N 25115

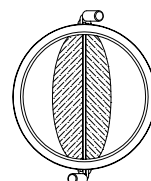


CLOSED GATES



(FAN IS NOT OPERATING)

PARTIAL OPEN GATES



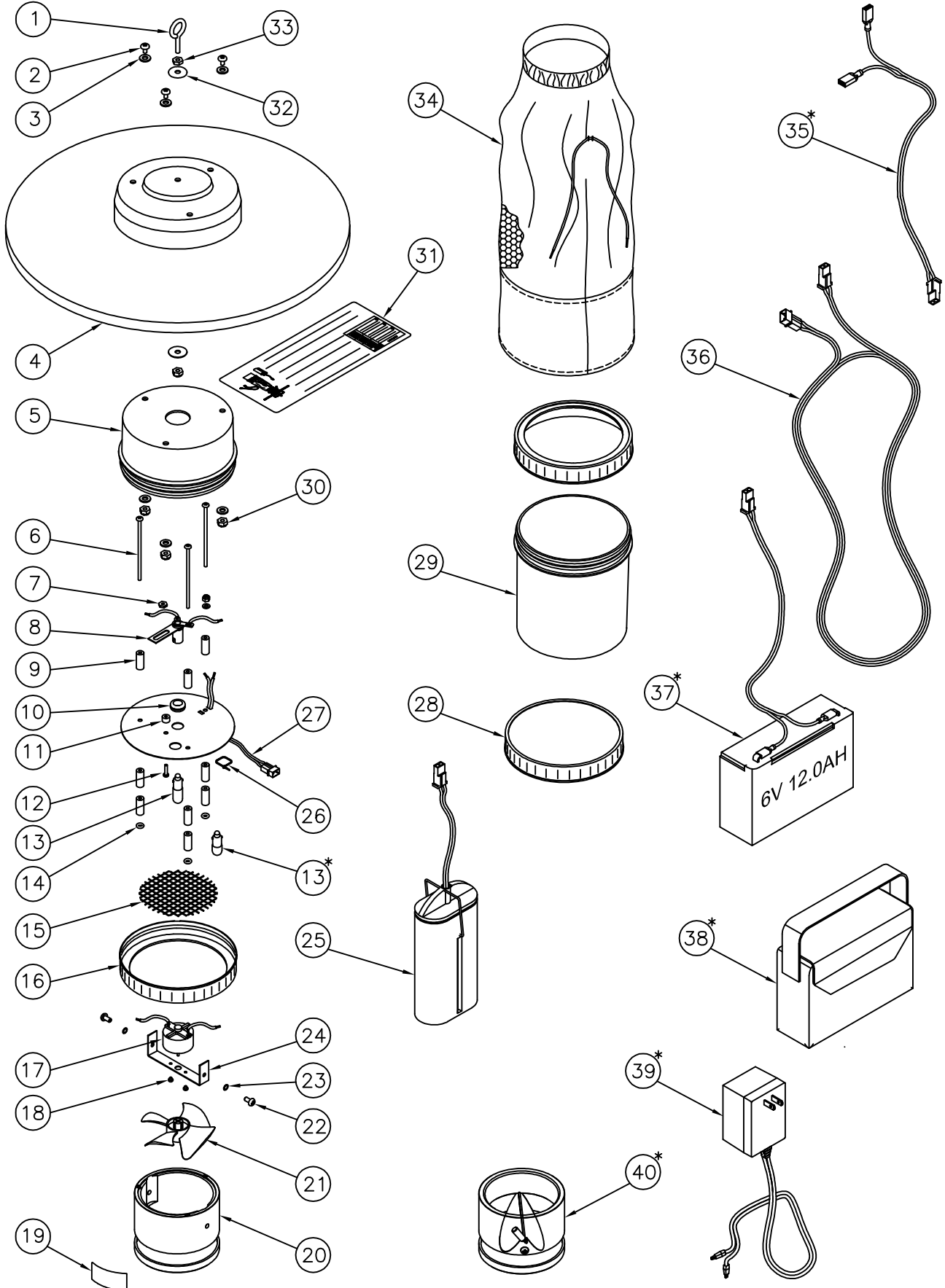
(NORMAL OPERATING POSITION)

Utilizing the optional self-closing gates promotes battery conservation and allows longer time periods of unattended and uncollected light trap specimens without specimen escape.

CURTIS DYNA-FOG self closing gate can be used on any light trap, including the competitors.

After installing self-closing gate, you can set the function switch to position number 3 for battery conservation.

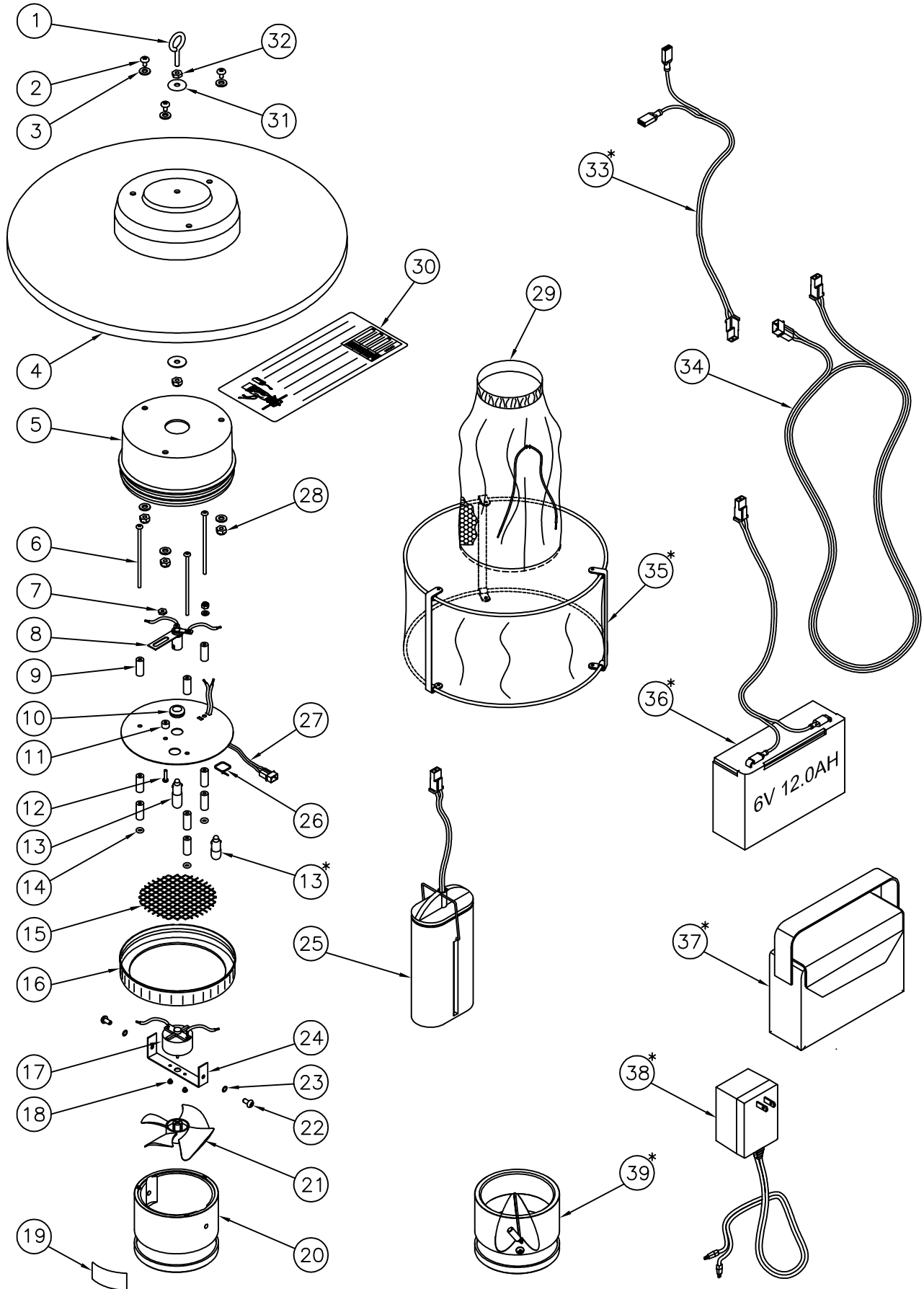
Mosquito Light Trap Model 2506-J, 2506-J-N



MOSQUITO LIGHT TRAP 25086-6J, 25086-6J-UV

<u>ITEM</u>	<u>QTY.</u>	<u>PART NUMBER</u>	<u>DESCRIPTION</u>
1	1	25180	BOLT, EYE, 10X24 SSTL
2	3	65222	SCREW, 10-24X1/2, PHCR
3	6	65232	WASHER, #10 FLAT, SSTL
4	1	25165-3	SHIELD, RAIN, PLASTIC, BLACK
5	1	25154-3	CONTAINER, WHITE 16OZ
6	3	25190	SCREW, 6-32 X 3, PHCR SS
7	1	65244	NUT, #6, SSTL.
8	1	25194	HOLDER LAMP AY.
9	9	25059	SPACER (NYLON) #6
10	1	25179	GROMMET, .35 ID.
11	1	25059-1	SPACER, NYLON #6, .31 LENGTH, BLACK
12	1	65228	SCREW, 6-32 x 1/2, PHCR, SSTL
13	1	25171	INCANDESANT BULB
13*	1	25148	LED UV BULB (OPTIONAL)
14	3	10000-6	O-RING
15	1	25160	SCREEN, MESH 4, 3.187" DIA.
16	2	25158-1	CAP, MACHINED
17	1	25195	MOTOR AY.
18	2	25225	SCREW, 6-32X1"
19	1	25101-7	LABEL, ID, LIGHT TRAP, (25086-6J)
19	1	25101-8	LABEL, ID, LIGHT TRAP, (25086-6J-UV)
20	1	25151	HOUSING
21	1	25055-1	FAN (4-BLADE)
22	2	65227	SCREW 8-32 X 1/2, PHCR, S.S.
23	2	10000-7	O-RING
24	1	25161	BRACKET, MOTOR
25	1	25011	HOLDER AY., BATTERY
26	2	20247	TIE, CABLE
27	1	25173	WIRE AY., POWER, MODIFIED
28	1	25158	CAP
29	1	25168	JAR, COLLECTION
30	4	65240	NUT, #10, NYLOCK, SSTL
31	1	25228	LABEL, INSTRUCTIONS
32	1	25181	WASHER, FLAT, #10, SSTL
33	1	25166	NUT, 10X24, SSTL.
34	1	25172	CAGE AY., LIGHT TRAP CATCH
35	1	25123	WIRING HARNESS AY, LIGHT TRAP
36	1	25109	WIRING HARNESS, LIGHT TRAP
37*	1	25121	BATTERY, 6V 12 AH, GH6120 AY (OPTIONAL)
38*	1	39092	BATTERY BAG (OPTIONAL)
39*	1	25126	BATTERY CHARGER (OPTIONAL)
40*	1	25115	GATE (OPTIONAL)

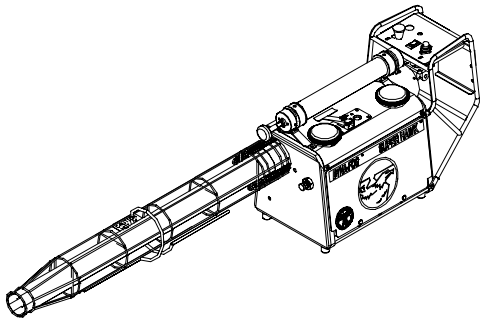
Mosquito Light Trap Model 2506-N, 2506-N-UV



MOSQUITO LIGHT TRAP 25086-6N, 25086-6N-UV

<u>ITEM</u>	<u>QTY.</u>	<u>PART NUMBER</u>	<u>DESCRIPTION</u>
1	1	25180	BOLT, EYE, 10X24 SSTL
2	3	65222	SCREW, 10-24X1/2, PHCR
3	6	65232	WASHER, #10 FLAT, SSTL
4	1	25165-3	SHIELD, RAIN, PLASTIC, BLACK
5	1	25154-3	CONTAINER, WHITE 16OZ
6	3	25190	SCREW, 6-32 X 3, PHCR SS
7	1	65242	NUT, #6, NYLOCK SSTL.
8	1	25052	MOUNT, LAMP, 7-12G
9	9	25059	SPACER (NYLON) #6
10	1	25179	GROMMET, .35 ID.
11	1	25059-1	SPACER, NYLON #6, .31 LENGTH, BLACK
12	1	65228	SCREW, 6-32 x 1/2, PHCR, SSTL
13	1	25171	INCANDESANT BULB
13*	1	25148	LED UV BULB (OPTIONAL)
14	3	10000-6	O-RING
15	1	25160	SCREEN, MESH 4, 3.187" DIA.
16	2	25158-1	CAP, MACHINED
17	1	25195	MOTOR AY.
18	2	25225	SCREW, 6-32X1"
19	1	25101-9	LABEL, ID, LIGHT TRAP (25086-6N)
19	1	25101-10	LABEL, ID, LIGHT TRAP (25086-6N-UV)
20	1	25151	HOUSING
21	1	25055-1	FAN (4-BLADE)
22	2	65227	SCREW 8-32 X 1/2, PHCR, S.S.
23	2	10000-7	O-RING
24	1	25161	BRACKET, MOTOR
25	1	25011	HOLDER AY., BATTERY
26	2	20247	TIE, CABLE
27	1	25173	WIRE AY., POWER, MODIFIED
28	4	65240	NUT, #10, NYLOCK, SSTL.
29	1	25092	CAGE AY., CATCHING
30	1	25228	LABEL, INSTRUCTIONS
31	1	25181	WASHER, FLAT, #10, SSTL
32	1	25166	NUT, 10X24, SSTL.
33	1	25123	WIRING HARNESS AY., LIGHT TRAP
34	1	25109	WIRING HARNESS, LIGHT TRAP
35*	3	25106	SPREADER AY., NET
36*	1	25121	BATTERY, 6V 12 AH, GH6120 AY (OPTIONAL)
37*	1	39092	BATTERY BAG (OPTIONAL)
38*	1	25126	BATTERY CHARGER (OPTIONAL)
39*	1	25115	GATE (OPTIONAL)

DYNA-FOG® Offers a complete and wide assortment of aerosol generator systems.



PULSE-JET POWERED THERMAL FOGGERS:

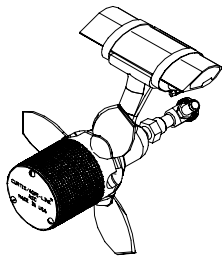
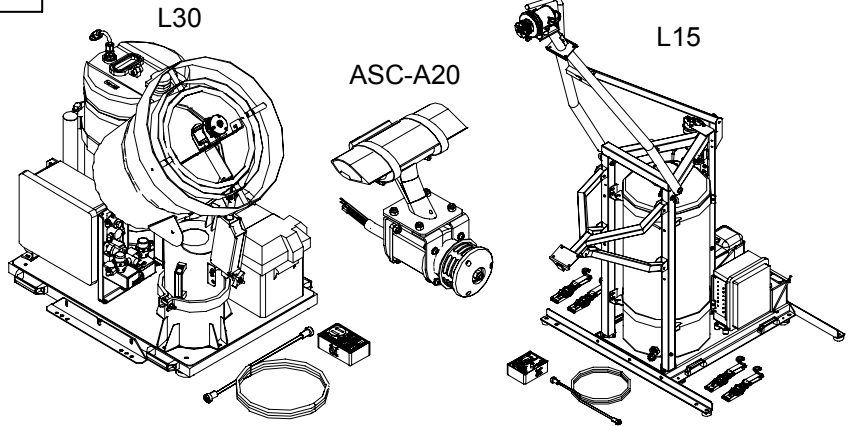
From 0-120 GPH (0-453 LPH) output. Our complete line include different models like the Superhawk, Golden Eagle, Trailblazer, Patriot, Blackhawk, Mister III, Mister Max, SilverCloud and Model 1200. Portable or Truck mounted machines. Different models are available for Oil base or Water base formulations.

ELECTRIC ROTARY ATOMIZERS:

DYNA-JET L30: State of the Art, Electric Rotary Atomizer ULV Aerosol Generator. 12 VDC, Light Weight, Truck mounted Machine with FMI pump. Optional Radar Syncroflow.

DYNA-JET L15: Drift Sprayer for migratory pest control like Locust. Flow Rate from 0 to 2000 ml/min. Optional Radar Syncroflow.

ASC-A20: State of the Art, Electric Rotary Atomizer, for use on Fixed Wing and Rotary Wing aircraft.

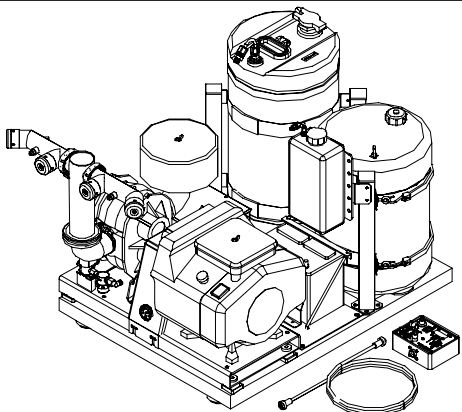
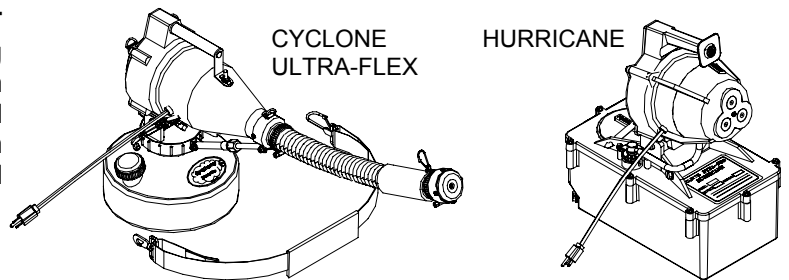


WIND DRIVEN ROTARY ATOMIZERS:

The ASC-A10 is a wind driven atomizer designed for Fixed Wing aircraft. The rotational speed of the atomizer controls the droplet size and can be adjusted by changing the angle of the blades. Also available is the ASC-A10H for Rotary Wing application. No other Rotary atomizer for aircraft can handle the amount of Flow rate as the ASC Atomizer.

Several accessories are available to meet your requirements. Also available in 12 or 24 VDC, see rotary atomizers above model ASC-A20.

ELECTRIC HAND-HELD ULV/MIST GENERATORS: Full line of electric cold fog applicators with 1 Gal (3.8 L) tank, available in 115 and 230 VAC. An Electric Thermal version is available. For bigger Formulation capacity we have some models with 3 Gal (11.4 L) tank.



COMBUSTION ENGINE DRIVEN ULV AEROSOL GENERATORS:

Truck mounted Units powered by 8, 9, 11 or 18 HP four cycle, OHV Gasoline Engine. Diesel version available. One, two or four nozzles. Optional full remote control of boom functions (rotation of turntable and angle of nozzles).

Diversity of pumping systems, Gear, Piston and Diaphragm. Pressurized system available for overseas market.

Optional Radar Syncroflow.

40 cc Two cycle portable machines also available.

CURTIS DYNA-FOG® Ltd.

www.dynafog.com

Call or write today for a free brochure

17335 US Highway 31 North
Westfield, IN 46074 U.S.A.

Phone: (317) 896-2561

Fax: (317) 896-3788

Internet: www.dynafog.com

REV. 7/24/2013